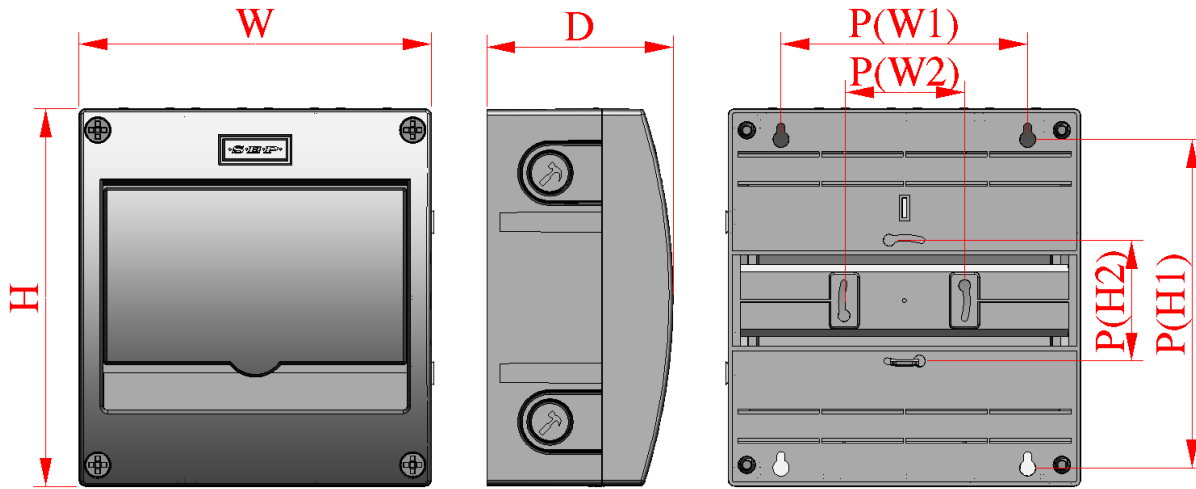
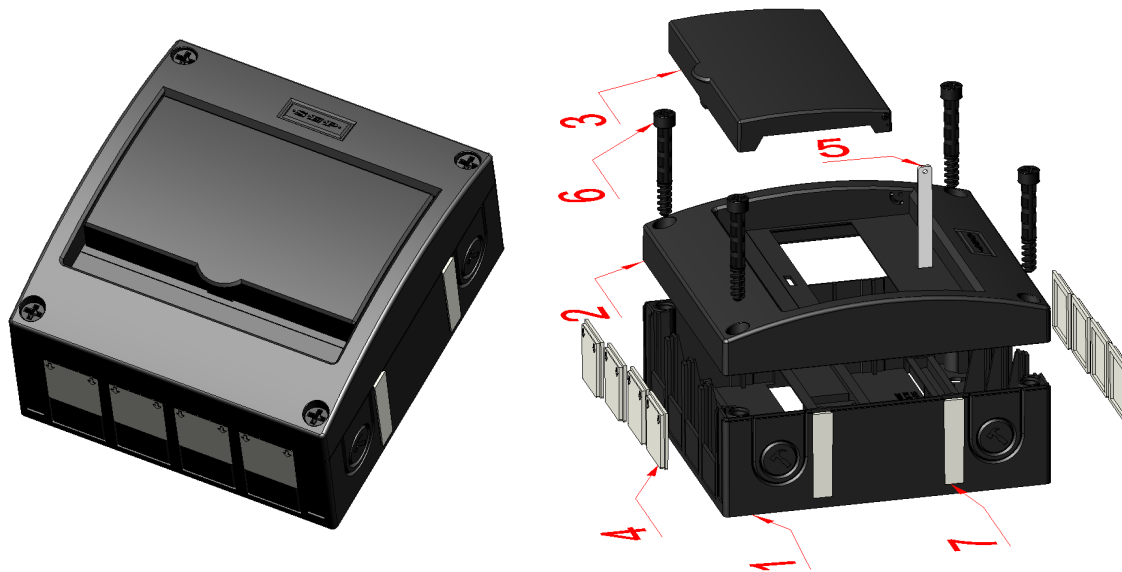


Installation Guide

Installatie handleiding

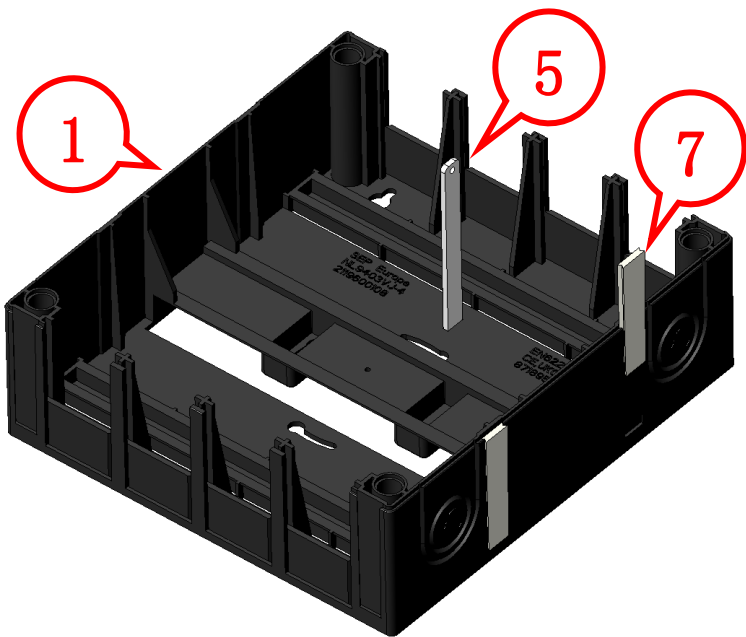


	MST-2	MST-4	MST-6	MST-8
H[mm]	185	185	185	185
W[mm]	66.5	102	137.5	173
D[mm]	91.5	91.5	91.5	91.5
Pitch (W1) [mm]	22.5	50	85.5	121
Pitch (W2) [mm]	/	59.2	59.2	59.2
Pitch (H1) [mm]	161	161	161	161
Pitch (H2) [mm]	59.2	59.2	59.2	59.2

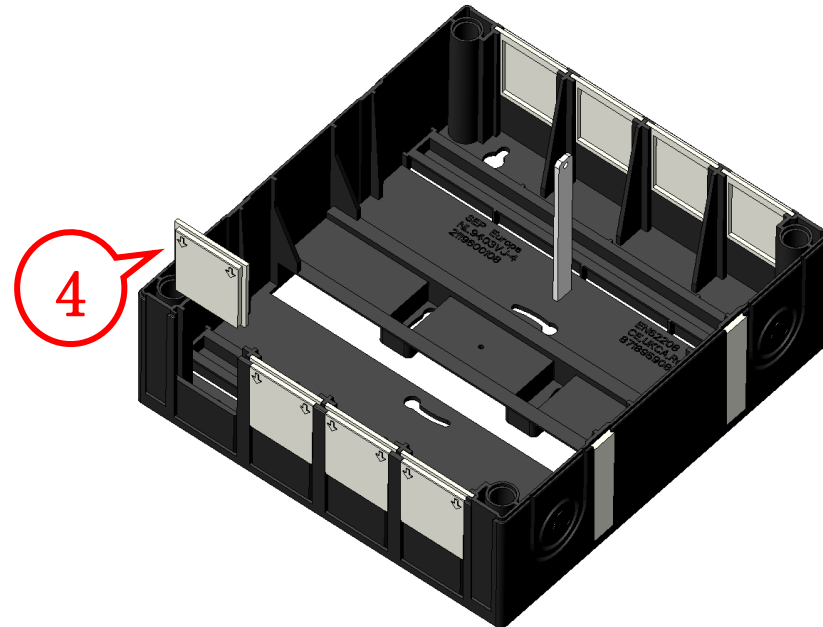


NO.	Part name	QTY
1	Base	1
2	Cover	1
3	Cap	1
4	Close plate	2/4/6/8
5	Anti-tamper plate	*Option
6	Black screw	4
7	Connector	2

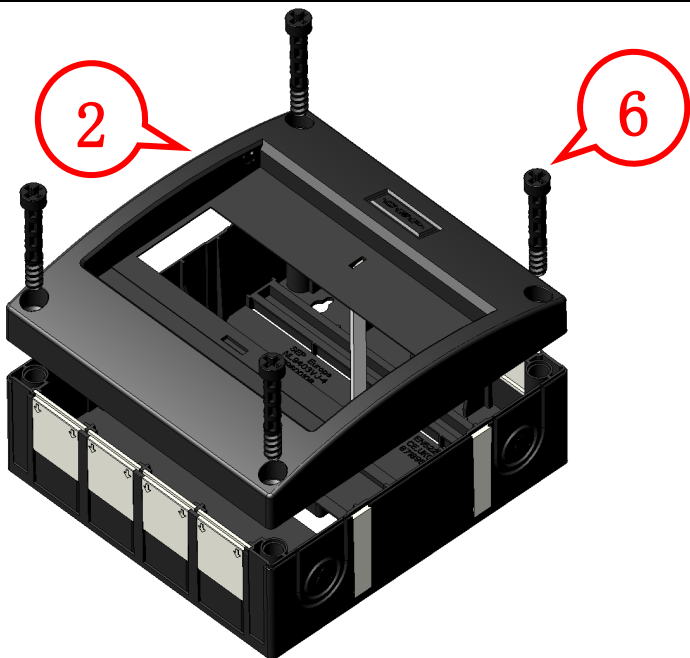
Note: The quantities of close plate are determined based on the actual operation.



Step 1



Step 2



Step 3



Step 4